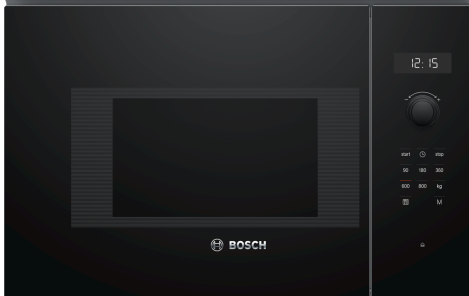


## Series 6, Built-In Microwave, Black BFL524MB0



1 x Turntable

HEZ86D000 Steamer Cooker Accessory for Microwave  
HEZG9AS00S Adapter

- **AutoPilot 7:** every dish is a perfect success thanks to 7 pre-set automatic programmes.
- **LED-display control, white:** easy-to-use thanks to direct access to additional functions.
- **Stainless steel interior:** easy to clean interior thanks to smooth surfaces and no sharp edges.

Additional function: ..... Microwave only  
 Type of control: ..... Electronic  
 Dimensions: ..... 382x594x317 mm  
 Cavity dimensions: ..... 201 x 308 x 282 mm  
 Length electrical supply cord: ..... 130.0 cm  
 Net weight: ..... 16.7 kg  
 Gross weight: ..... 19.0 kg  
 Max. microwave power level: ..... 800 W  
 Number of Power Levels: ..... 5  
 Turntable: ..... Yes  
 Cavity material: ..... Stainless steel  
 Door opening: ..... Button  
 Clock: ..... Yes  
 Included accessories: ..... 1 x Turntable  
 Height of the appliance: ..... 382 mm  
 Width of the appliance: ..... 594 mm  
 Depth of the product: ..... 317 mm  
 Max. microwave power level: ..... 800 W  
 Connection rating: ..... 1270 W  
 Fuse protection: ..... 10 A  
 Voltage: ..... 220-230 V  
 Frequency: ..... 50 Hz  
 Plug type: ..... GARDY plug w/ earthing  
 Required cutout/niche size for installation (in): ..... x  
 Dimensions of the packed product: ..... 17.32 x 14.96 x 25.98  
 Net weight: ..... 37.000 lbs  
 Gross weight: ..... 42.000 lbs



## Series 6, Built-In Microwave, Black BFL524MB0

---

### **Microwave and heating mode:**

- Max. Power: 800 W; 5 Microwave power settings: 90 W, 180 W, 360 W, 600 W, 800 W
- Cavity volume: 20 l

### **Design:**

- stainless steel cavity

### **Comfort:**

- Rotary Control, Pop-out controls, Touch control
- Touch key operation
- LED display control
- electronic clock
- User-friendly electronics: extremely
- easy and comfortable operation
- cookControl, 7
- 4 defrost and 3 cooking programmes in microwave function
- memory function (1 setting)
- Interior lighting
- Glass tray diameter: 25.5 cm
- Bottom, Oven door with SoftClose, Soft opening

### **Accessory:**

- 1 x Turntable

### **Environment and Safety:**

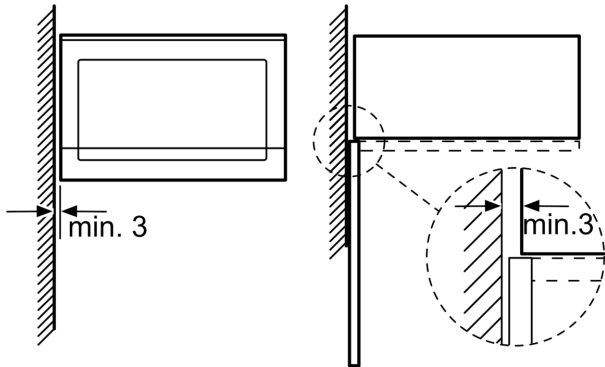
- Child lock
- Automatic switch off Start-/Stop button Door contact switch
- Integral cooling fan
- Length of mains cable: 130 cm
- Total connected load electric: 1.27 KW
- Nominal voltage: 220 - 230 V
- Tall housing, Can be built in a 60 cm wall cupboard (at least 30cm deep)

### **Dimensions:**

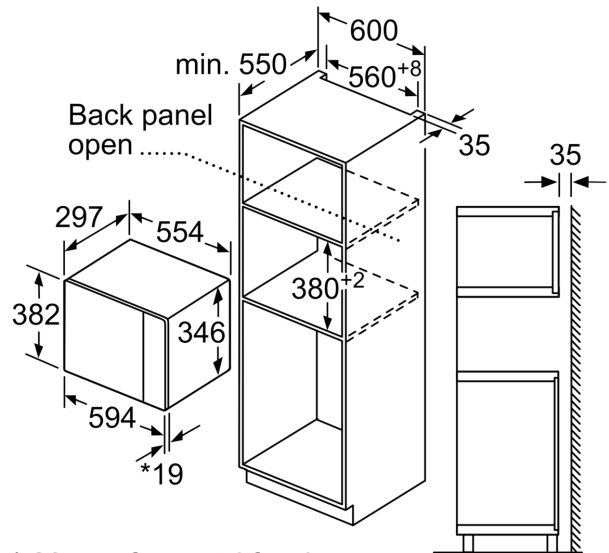
- Appliance dimension (H x W x D): 382 mm x 594 mm x 317 mm
- Niche dimension (hxwx): 560 mm - 568 mm x 450 mm - 455 mm x 550 mm
- "Please reference the built-in dimensions provided in the installation drawing"

**Series 6, Built-In Microwave, Black  
BFL524MB0**

Microwave,  
corner installation



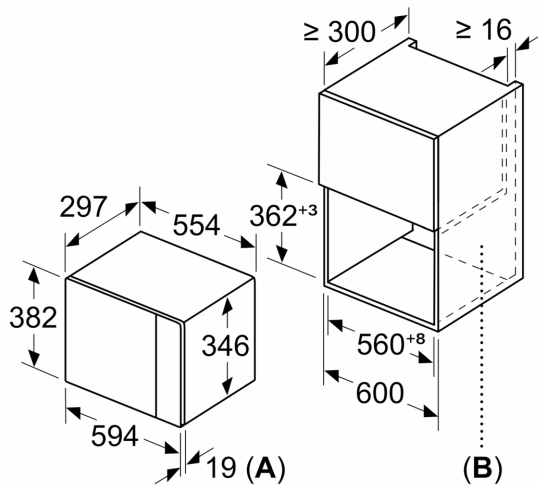
Measurements in mm



\* 20 mm for metal fascia

measurements in mm

Measurements in mm



**A:** 20 mm for metal fascia  
**B:** Back panel open

